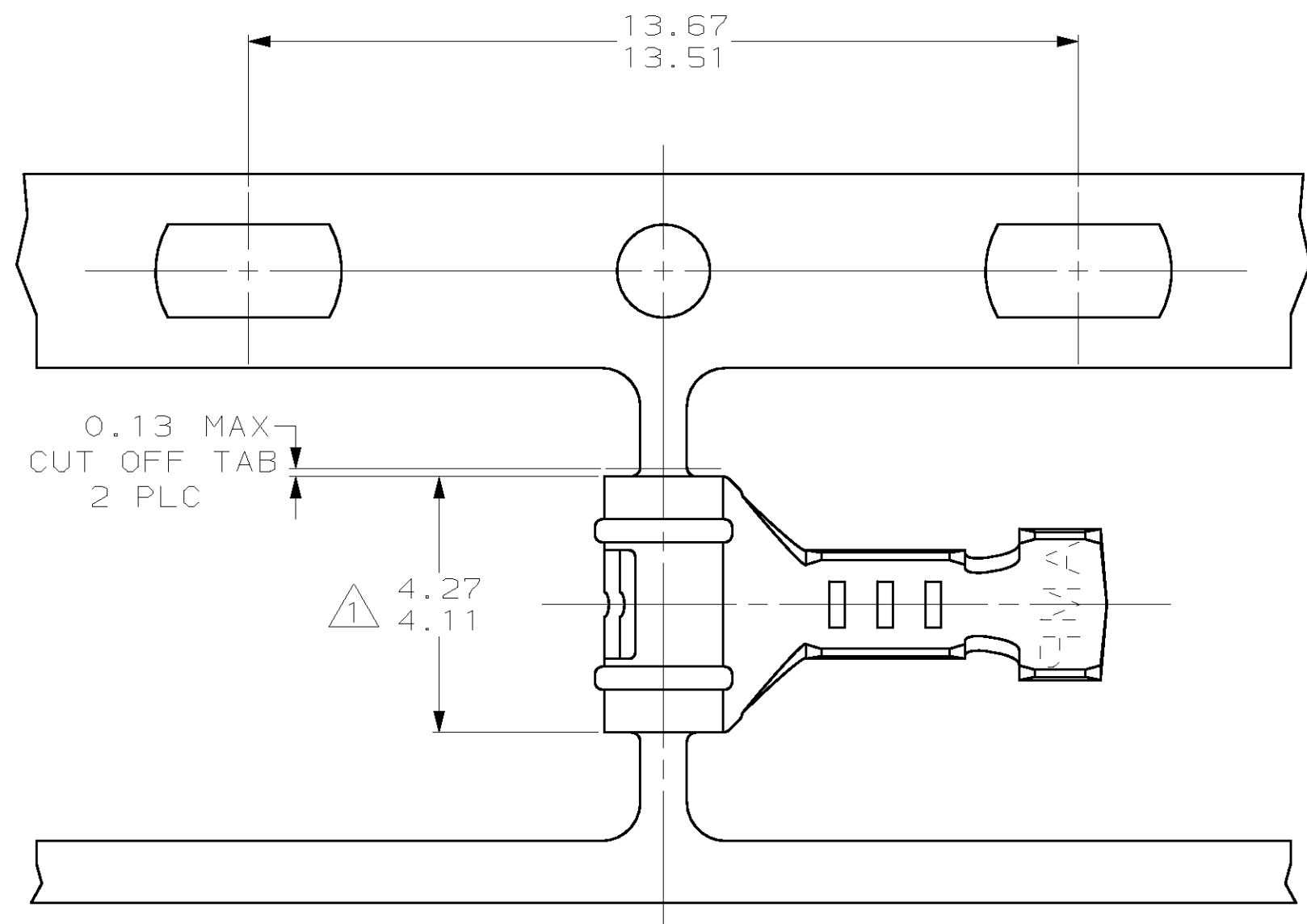
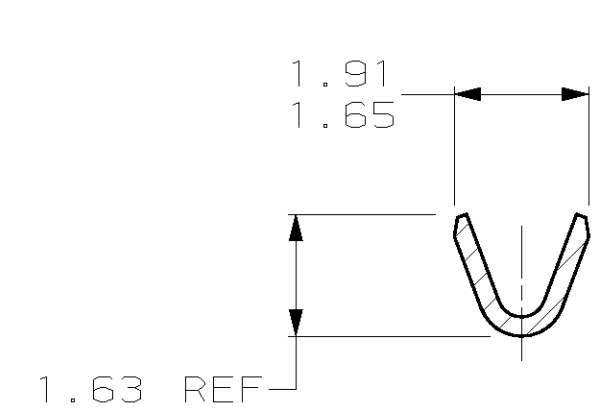
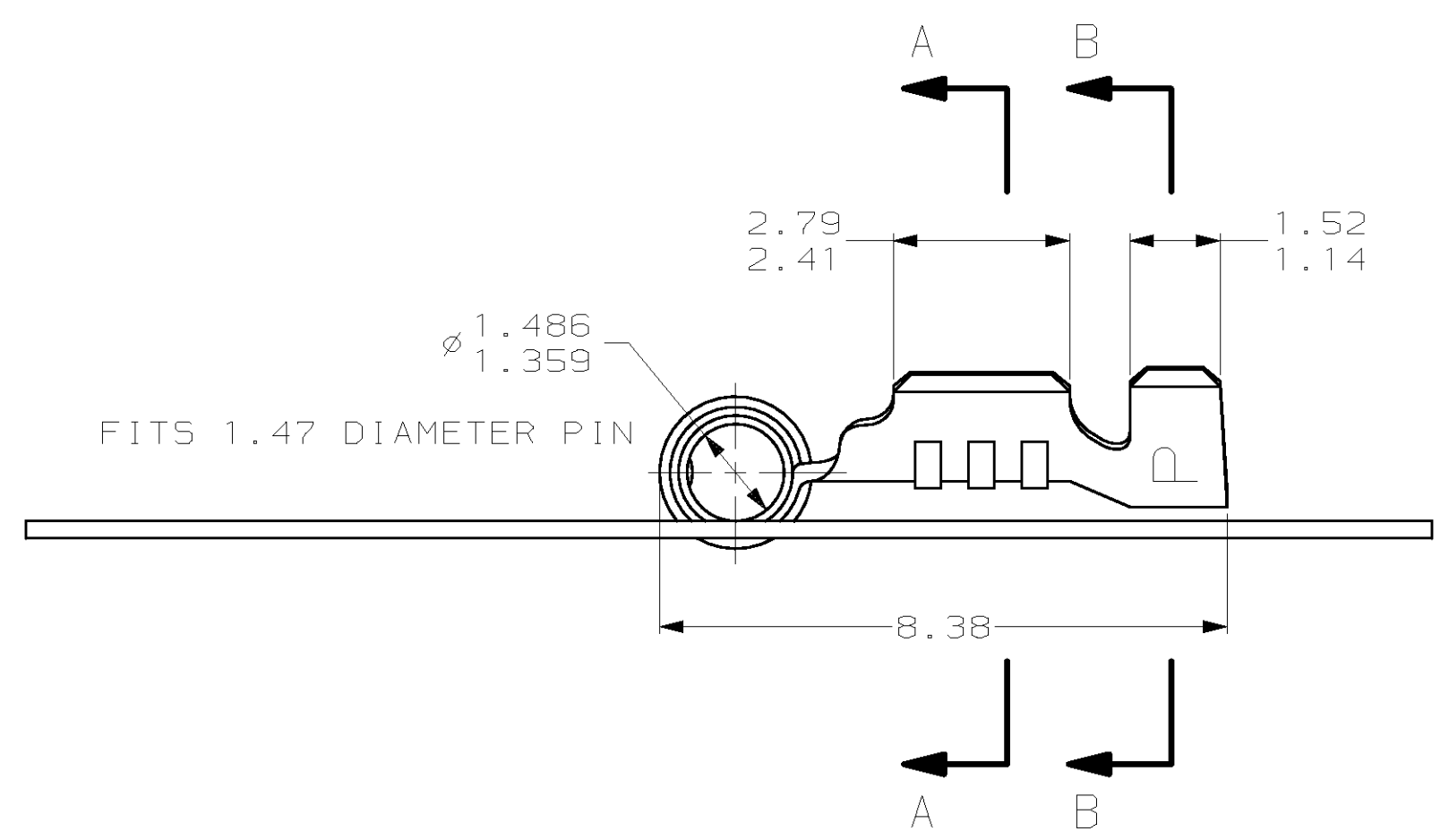


THIS DRAWING IS UNPUBLISHED. RELEASED FOR PUBLICATION  
 (C) COPYRIGHT 19 BY AMP INCORPORATED. ALL RIGHTS RESERVED.

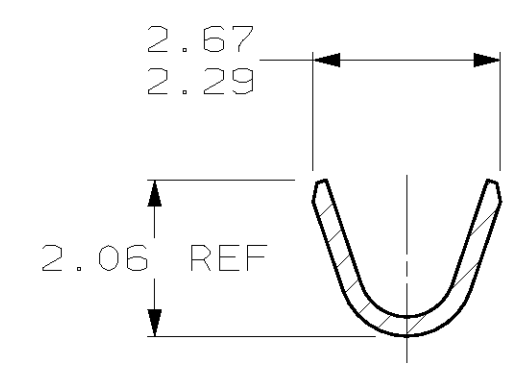
| LOC | DIST | REVISIONS   |                                 |        |       |
|-----|------|-------------|---------------------------------|--------|-------|
| P   | LTR  | DESCRIPTION | DATE                            | DWN    | APVD  |
| CM  | 52   | E           | REV & REDWN PER EC 0L30-0125-97 | 6-3-97 | TB RS |



- 1. 0.00038 MIN SELECTIVE GOLD PLATING ON INSIDE OF RECEPTACLE OVER NICKEL OVER ALL UNDERPLATE.
- 2. WIRE RANGE: 0.12 - 0.4 MM<sup>2</sup> (26 - 22 AWG)
- 3. INSULATION RANGE: 0.89 - 1.65



SECTION A-A



SECTION B-B

|          |                |             |
|----------|----------------|-------------|
| PRE-TIN  | 0.25 PH BRZ    | 61513-2     |
| $\Delta$ | 0.25 BE COPPER | 61513-1     |
| FINISH   | MATERIAL       | PART NUMBER |

|         |         |       |       |      |      |       |      |
|---------|---------|-------|-------|------|------|-------|------|
| 1.359   | .0535   | 1.91  | .075  | 4.11 | .162 | -     | -    |
| 1.14    | .045    | 1.65  | .065  | 2.79 | .110 | -     | -    |
| 0.89    | .035    | 1.63  | .064  | 2.67 | .105 | 13.67 | .538 |
| 0.25    | .010    | 1.52  | .060  | 2.41 | .095 | 13.51 | .532 |
| 0.13    | .005    | 1.486 | .0585 | 2.29 | .090 | 8.38  | .330 |
| 0.00038 | .000015 | 1.47  | .058  | 2.06 | .081 | 4.27  | .168 |
| MM      | IN      | MM    | IN    | MM   | IN   | MM    | IN   |

CONVERSION TABLE



THIS DRAWING IS A CONTROLLED DOCUMENT.

|                    |  |                           |  |
|--------------------|--|---------------------------|--|
| DIMENSIONS: mm     | TOLERANCES UNLESS OTHERWISE SPECIFIED: | DWN T. BECK 6-03-97       | AMP Incorporated<br>Harrisburg, PA 17105-3608  |
|                    | 0 PLC ±                                | CHK R. SWING 6-03-97      |  |
|                    | 1 PLC ±                                | APVD A. BEDDICK 6-17-97   |  |
|                    | 2 PLC ±0.13                            | PRODUCT SPEC 108-1025     |  |
| MATERIAL SEE TABLE | FINISH SEE TABLE                       | APPLICATION SPEC 114-1008 | NAME RECEPTACLE, .058 DIAMETER, 26-22 AWG, .035-.065 INSULATION, RIGHT ANGLE, P.C. CONTACT |
|                    |  | WEIGHT -                  | SIZE A2 CAGE CODE 00779 DRAWING NO. 61513 RESTRICTED TO                                    |
|                    |  | CUSTOMER DRAWING          | SCALE 10:1 SHEET 1 OF 1 REV F  |